



M-SVP

---

Emergency escape locks  
with automatic multi-point locking

# MULTI-POINT LOCKING

## FULLY AUTOMATIC, CONVENIENT AND SECURE

Doors that re-lock themselves each time they are closed and enhanced security – these are the decisive advantages available with M-SVP multi-point locks with automatic locking action. The three-point locks with their hook or latch bolts and the main deadbolt with a 20 mm projection provide insurance-compliant door locking with enhanced anti-intruder protection corresponding to burglar resistance class WK 4 in appropriate door systems. The fact that the locks can be integrated within access control systems further adds to the security and convenience on

offer, while certification to EN 179 and EN 1125 enable their use in project build emergency exits and escape routes. The panic function incorporated in these M-SVP locks ensures that the door can be opened in the escape direction at any time by simply operating the inside lever handle. In addition to powered opening via access control systems (e.g. finger scan, radio key, transponder, etc.), the lock can also be mechanically disengaged from the outside at any time by means of profile cylinder key.

## CONTENTS

<b>M-SVP</b>	
Multi-point emergency escape lock	3
<b>M-SVP 5000</b>	
Multi-point emergency escape lock with automatic locking action	4
<b>M-SVP 3000</b>	
Electro-mechanical multi-point emergency escape lock with automatic locking action	6
<b>M-SVP 2000 DCW®</b>	
Multi-point emergency escape motor lock with automatic locking action	10
<b>M-SVP</b>	
Accessories	18
<b>M-SVP</b>	
Profile-related equipment	19
<b>DCW® = DORMA CONNECT AND WORK</b>	

### **F** Approval certification



The M-SVP locks with automatic locking action have been tested, and are subject to third-party verification, by the Material Testing Authority of North Rhine Westphalia. Additional approval certification of the relevant fire and smoke check doors may be necessary. Ensure compliance with local regulations.

M-SVP locks have been approved for combination with lever handles and panic bars of various manufacturers in accordance with EN 179 “Emergency exit devices” and EN 1125 “Panic exit devices” and carry the CE mark of conformity.

The range comprises three model series:

**M-SVP 5000**

Purely mechanical multi-point emergency escape lock with automatic locking action

**M-SVP 3000**

Electro-mechanical multi-point emergency escape lock with mechanical self-locking function and motorised unlocking

**M-SVP 2000 DCW®**

Multi-point emergency escape motor lock with motorised locking and unlocking and integrated DCW® interface

**Benefits**

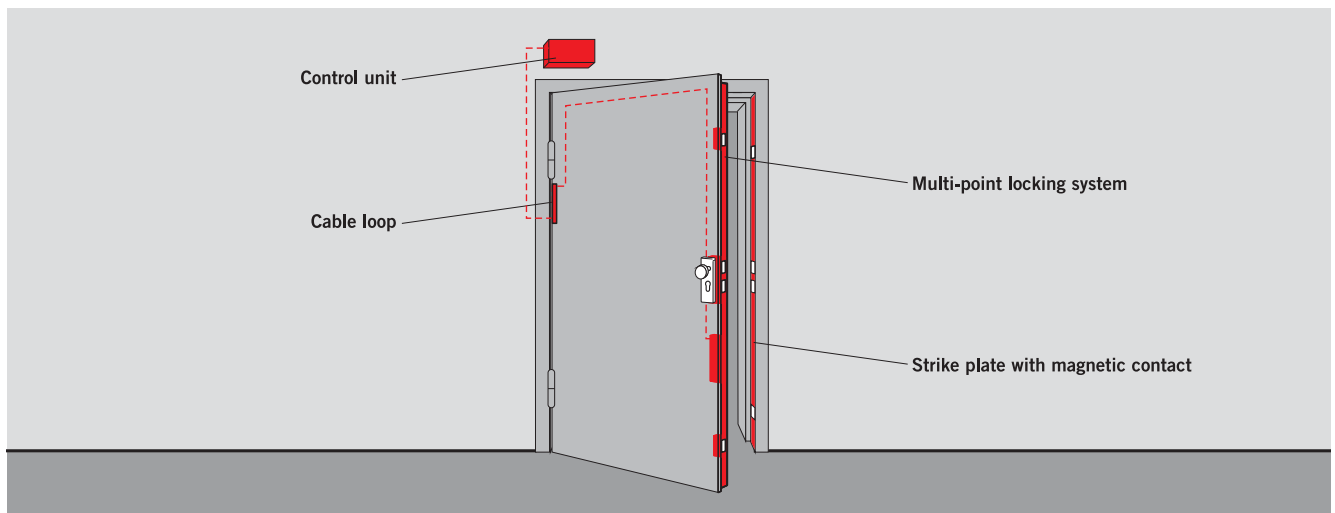
- Automatic locking of doors immediately on closure.
- Insurance-compliant locking with 20 mm bolt projection, plus additional protection afforded by hook or latch bolts on top and bottom.
- High anti-intruder protection up to resistance class WK 4 (M-SVP 2000 DCW®) thanks to multi-point locking.
- Panic function ensures that the door can be immediately opened by the lever handle for egress in the emergency direction.
- Suitable for solid and profile doors, and for europrofile and round cylinders.
- Profile-related equipment packages available.
- Suitable for incorporation in access control and TMS door management systems (not M-SVP 5000).
- Approved for use in emergency exit and escape route systems, and for fire and smoke check doors.
- In the event of a power failure, the door can still be locked and unlocked by the key from both inside and outside.

**Features of the M-SVP range**

	M-SVP 5000	M-SVP 3000	M-SVP 2000 DCW®
Three-point locking	●	●	●
Hook bolt	–	–	●
Latch bolt	●	●	–
Motorised autolock	–	–	●
Mechanical autolock	●	●	–
Motorised unlocking via access control	–	●	●
Mechanical unlocking via lever handle (panic function)	●	●	●
Mechanical unlocking via cylinder	●	●	●
Suitable for electronic cylinder	●	●	●
Free-turning cylinder with positive-action coupling necessary	–	–	●
Integration in access control systems	–	●	●
Permanent unlocking (lock latch and all bolts retracted)	–	●	●
Day latch function (bolts retracted, latch extended)	–	–	●
“Door open/closed” signalling	–	●	●
“Door locked/unlocked” signalling	–	–	●
“Handle operation/Panic unlocking” signalling	–	–	●
DCW® interface, direct integration in DORMA TMS	–	–	●
Re-locking time adjustable via TMS	–	–	●
Automatic re-enable following non-operation of door	–	●	●
Compliant with EN 179	●	●	●
Compliant with EN 1125	●	●	–
Approved for fire and smoke check doors	●	●	●

● yes – no

**M-SVP**



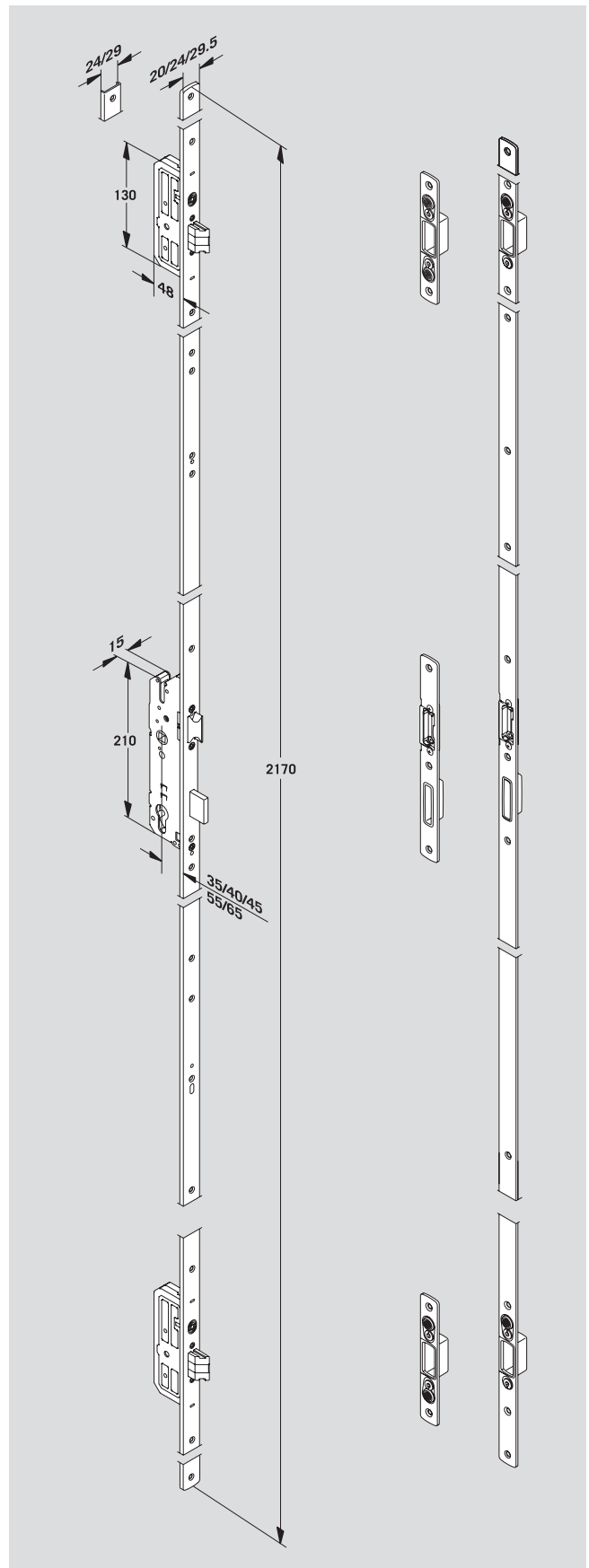
# M-SVP 5000 – MULTI-POINT EMERGENCY ESCAPE LOCK WITH AUTOMATIC LOCKING ACTION

Multi-point emergency escape lock with automatic locking action, with latch bolts of anti-force-back design and main deadbolt. Enhanced anti-burgle protection up to resistance class WK 2 available in appropriate door systems. Unlocking from the outside by key. The integrated panic function ensures that the door can be opened at any time in the escape direction by simply operating the inside lever handle. The mechanical self-locking mechanism is automatically triggered by magnets on closure of the door.

- Latch and centre bolts of steel, 20 mm projection
- 9 mm square-section follower
- For use in timber, uPVC and aluminium doors
- Approved for use in emergency exit doors in accordance with EN 179 and EN 1125
- Suitable for use on fire and smoke check doors

Equipment packages comprising

- M-SVP 5000 lock
- Strike plate or strike components, plus accessories
- Installation instruction manual and routing drawing



## Equipment packages for steel and aluminium profile doors

Article designation	Forend	Strike plate	Strike components	Backset	Centres	DIN	Cylinder	Order No.		
<b>U-form (flanged) forend</b>										
M-SVP 5000 UU6	U 6 x 24	U 5.5 x 24		35	92	L	PZ	15500001		
						R	PZ	15500002		
M-SVP 5000 UU6.7	U 6.7 x 24	U 5.5 x 24		35	92	L	PZ	15500003		
						R	PZ	15500004		
M-SVP 5000 UF	U 6 x 24	F 3 x 24		35	92	L	PZ	15500005		
						R	PZ	15500006		
							94	L	RZ	15500035
								R	RZ	15500036
M-SVP 5000 40 UF	U 6 x 24	F 3 x 24		40	92	L	PZ	15500009		
						R	PZ	15500010		
							94	L	RZ	15500039
M-SVP 5000 UF ST24	U 6 x 24		3 x 24	40	92	L	PZ	15500017		
						R	PZ	15500018		
							94	L	RZ	15500047
						R	RZ	15500048		
<b>Standard (flat) forend</b>										
M-SVP 5000 FF	F 3 x 24	F 3 x 24		35	92	L	PZ	15500007		
						R	PZ	15500008		
							94	L	RZ	15500037
M-SVP 5000 45 FF	F 3 x 24	F 3 x 24		45	92	L	PZ	15500011		
						R	PZ	15500012		
M-SVP 5000 FF ST29	F 2.5 x 29.5		2.5 x 29.5	35	92	L	PZ	15500019		
						R	PZ	15500020		
							94	L	RZ	15500049
						R	RZ	15500050		

## Equipment packages for timber doors

Article designation	Forend	Strike plate	Strike components	Backset	Centres	DIN	Cylinder	Order No.
M-SVP 5000 H 55 / 92	F 2.7 x 20		8.5 x 20	55	92	L	PZ	15500025
						R	PZ	15500026
M-SVP 5000 H 65 / 92	F 2.7 x 20		8.5 x 20	65	92	L	PZ	15500027
						R	PZ	15500028

All dimensions in mm

L = ISO 6 R = ISO 5

For profile-related equipment packages, see page 19

# M-SVP 3000 – EMERGENCY ESCAPE ELECTRO-MECHANICAL LOCK WITH AUTOMATIC MULTI-POINT LOCKING

Emergency escape lock with automatic multi-point locking action, with latch bolts of anti-force-back design and main deadbolt.

Enhanced anti-burglar protection up to resistance class WK 2 achievable in appropriate door systems.

Motorised unlocking (short-time and permanent unlocking) via access control systems, unlocking by key from the outside is possible at all times. The integrated panic function ensures that the door can be opened at any time in the escape direction by simply operating the inside lever handle. The mechanical self-locking mechanism is automatically triggered by magnets on closure of the door.

- Suitable for connection to external access control systems
- Designed for use in emergency exit and escape route systems
- Latch and centre bolts of steel, 20 mm projection
- 9 mm square-section follower
- Power supply data: 12 V DC
- For use on timber, uPVC and aluminium doors
- Approved for use in emergency exit doors in accordance with EN 179 and EN 1125
- Suitable for use on fire and smoke check doors

Equipment packages comprising

- M-SVP 3000 lock
- Strike plate or strike components, plus accessories
- 10 m cable
- Installation instruction manual and routing drawing

### Requisite accessories

(must be ordered separately):

- M-SVP 3000 control unit
- DORMA KÜ/KS cable loop (see page 18)

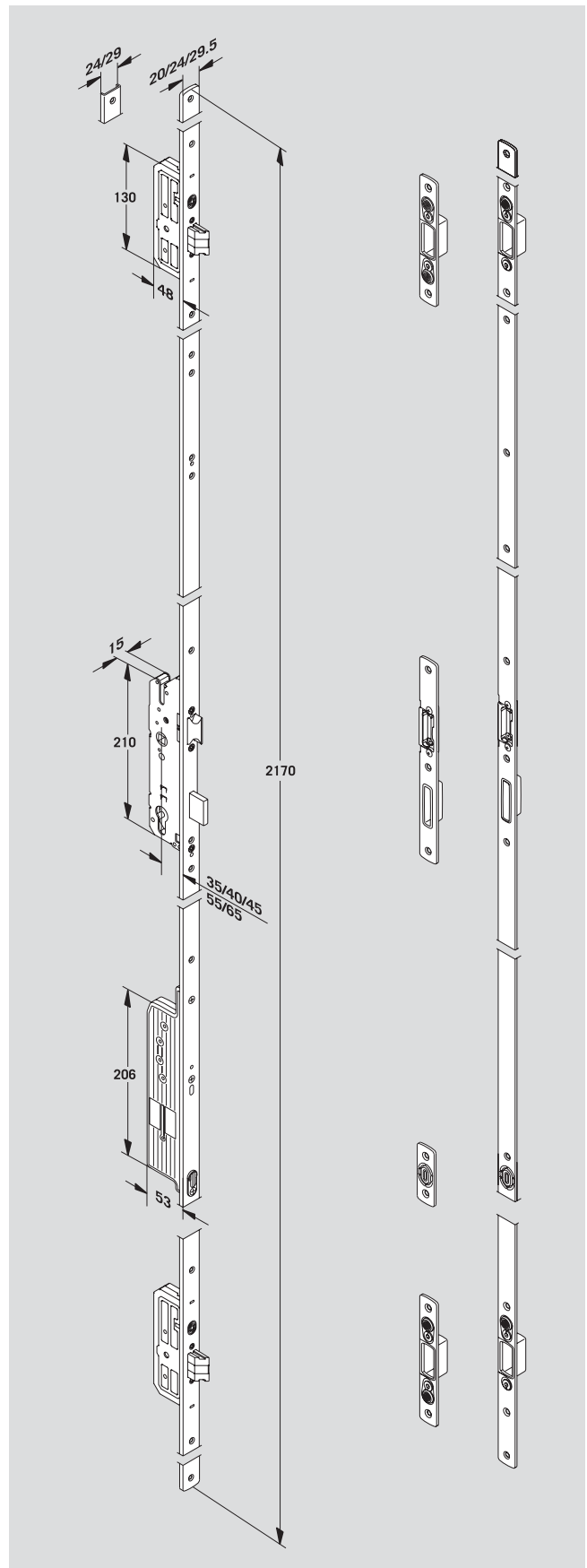
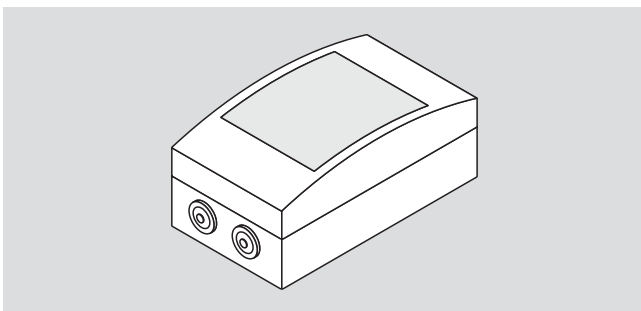
### M-SVP 3000 control unit

Control unit for the operation of M-SVP 3000 electro-mechanical emergency escape locks with automatic multi-point locking action.

- Enables motorised unlocking of the door via access control systems

- Installed in surface-mounted enclosure, including power supply unit.
- Power supply data: 230V AC +/- 10%
- Enclosure dimensions (W x H x D): approx. 112 x 200 x 84 mm

Order No. 15200141



## Equipment packages for steel and aluminium profile doors

Article designation	Forend	Strike plate	Strike components	Backset	Centres	DIN	Cylinder	Order No.		
<b>U-form (flanged) forend</b>										
M-SVP 3000 UU6	U 6 x 24	U 5.5 x 24		35	92	L	PZ	15300001		
						R	PZ	15300002		
M-SVP 3000 UU6.7	U 6.7 x 24	U 5.5 x 24		35	92	L	PZ	15300003		
						R	PZ	15300004		
M-SVP 3000 UF	U 6 x 24	F 3 x 24		35	92	L	PZ	15300005		
						R	PZ	15300006		
							94	L	RZ	15300035
								R	RZ	15300036
M-SVP 3000 40 UF	U 6 x 24	F 3 x 24		40	92	L	PZ	15300009		
						R	PZ	15300010		
							94	L	RZ	15300039
								R	RZ	15300040
M-SVP 3000 UF ST24	U 6 x 24		3 x 24	40	92	L	PZ	15300017		
						R	PZ	15300018		
							94	L	RZ	15300047
								R	RZ	15300048
<b>Standard (flat) forend</b>										
M-SVP 3000 FF	F 3 x 24	F 3 x 24		35	92	L	PZ	15300007		
						R	PZ	15300008		
M-SVP 3000 45 FF	F 3 x 24	F 3 x 24		45	92	L	PZ	15300011		
						R	PZ	15300012		
M-SVP 3000 FF ST29	F 2.5 x 29.5		2.5 x 29.5	35	92	L	PZ	15300019		
						R	PZ	15300020		
					94	L	RZ	15300049		
						R	RZ	15300050		

## Equipment packages for timber doors

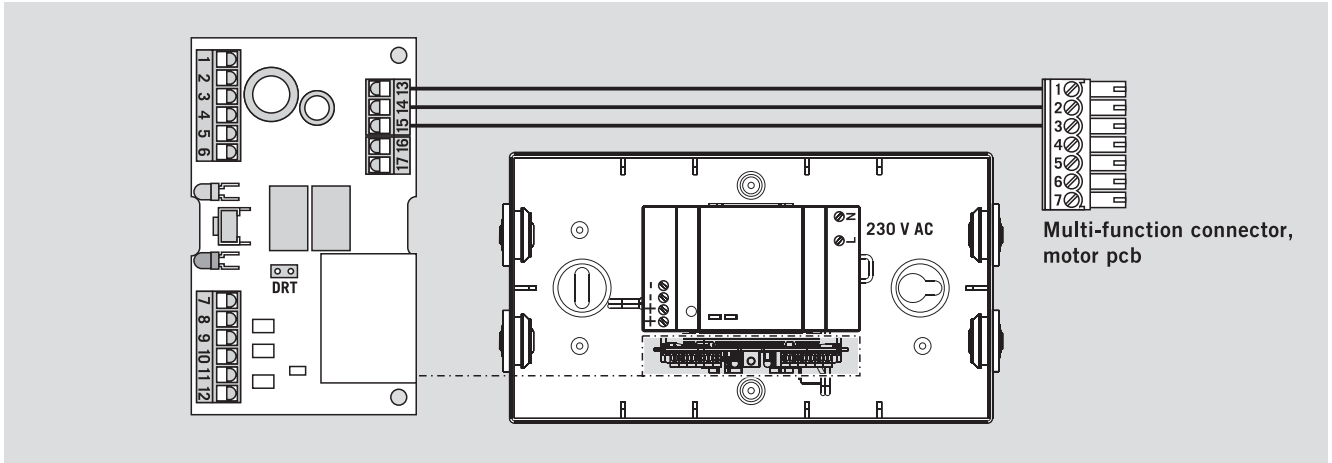
Article designation	Forend	Strike plate	Strike components	Backset	Centres	DIN	Cylinder	Order No.
M-SVP 3000 H 55 / 92	F 2.7 x 20		8.5 x 20	55	92	L	PZ	15300025
						R	PZ	15300026
M-SVP 3000 H 65 / 92	F 2.7 x 20		8.5 x 20	65	92	L	PZ	15300027
						R	PZ	15300028

All dimensions in mm

L = ISO 6 R = ISO 5

For profile-related equipment packages, see page 19

# M-SVP 3000 – TERMINAL ASSIGNMENTS AND FUNCTIONS



## M-SVP 3000 control unit:

1	⊥	GND	} Feed from switched power supply unit	
2	←	+12 V DC		
3	→	C	} "Unlocked" signal	1)*
4	→	NO		
5	→	C	} "Door open" signal	Alarm output (operation delayed approx. 1 sec)
6	→	NO		
7	⊥	GND	} Input (6-12 V AC or 6-24 V DC)	For opening signal, short-time unlocking
8	←	IN		
9	⊥	GND	} Floating contact	2)*
10	←			
11	⊥	GND	} Floating contact	For opening signal, short-time unlocking
12	←			
13	→		} To the M-SVP 3000	
14	→			
15	→			
16	←		} Floating contact	Deactivation of all inputs (Control unit, terminals 7-12 / Motor pcb, terminals 4-7)
17	⊥	GND		

Jumper DRT = Function 1      Jumper JP2 = No function  
 = Function 2

- 1)\* DRT function 1: Signal for activation of the swing door operator.  
 DRT function 2: Continuous signal (relay remains activated until terminals 9/10 are triggered.)  
 2)\* For opening signal, short-time and permanent unlocking. In the permanent unlocking mode, all the locking elements (latch and all bolts) are retracted while this signal remains active.

## Multi-function connector, motor pcb

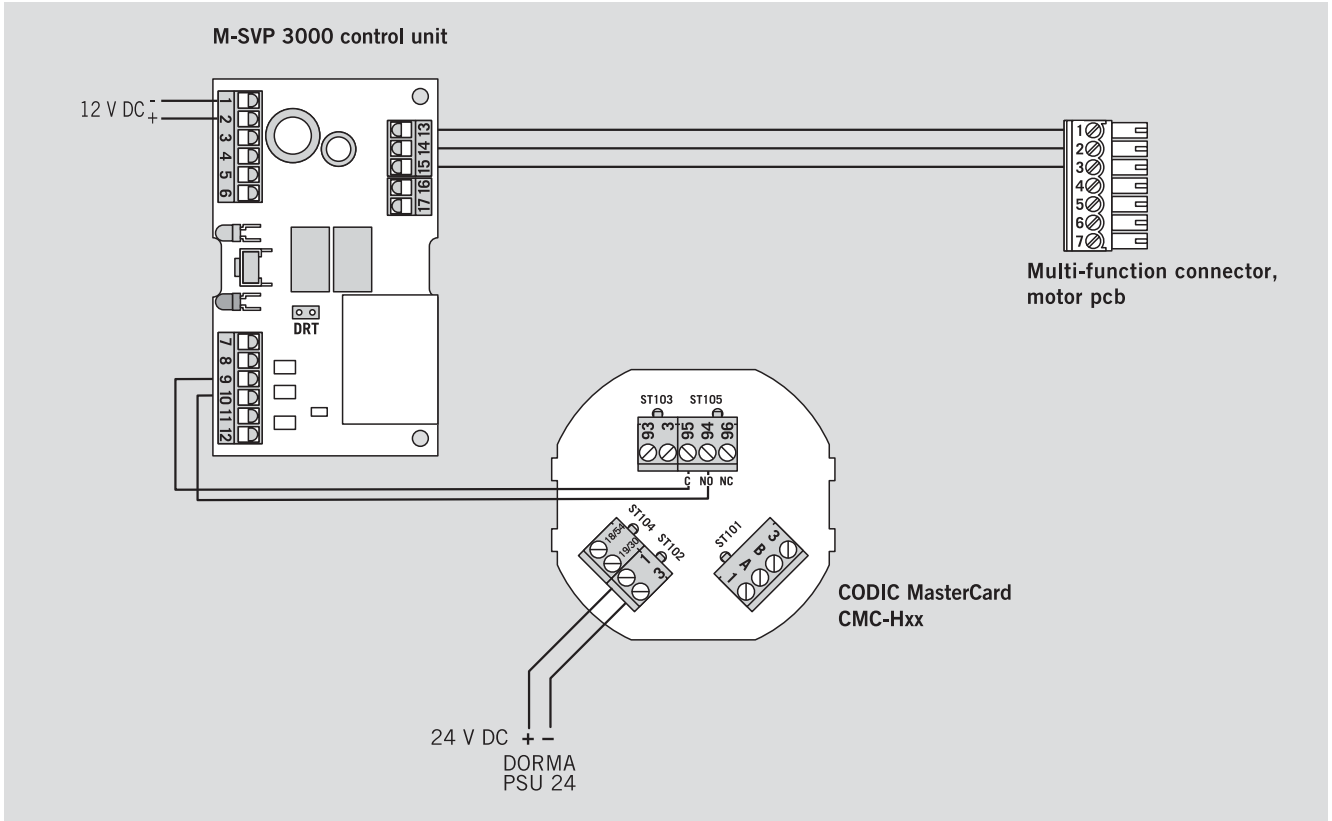
1	↔	Data cable		
2	⊥	GND	} Power supply, drive motor	
3	←	+12 V DC		
4	←		} Floating contact	For opening signal, short-time unlocking
5	⊥	GND		
6	→	Power supply output	(12 V DC, 350mA)	
7	←	IN	Input (6-12 V AC or 6-24 V DC)	For opening signal, short-time unlocking

When using the M-SVP 3000 control unit, terminals 4-7 of the motor pcb are not assigned.

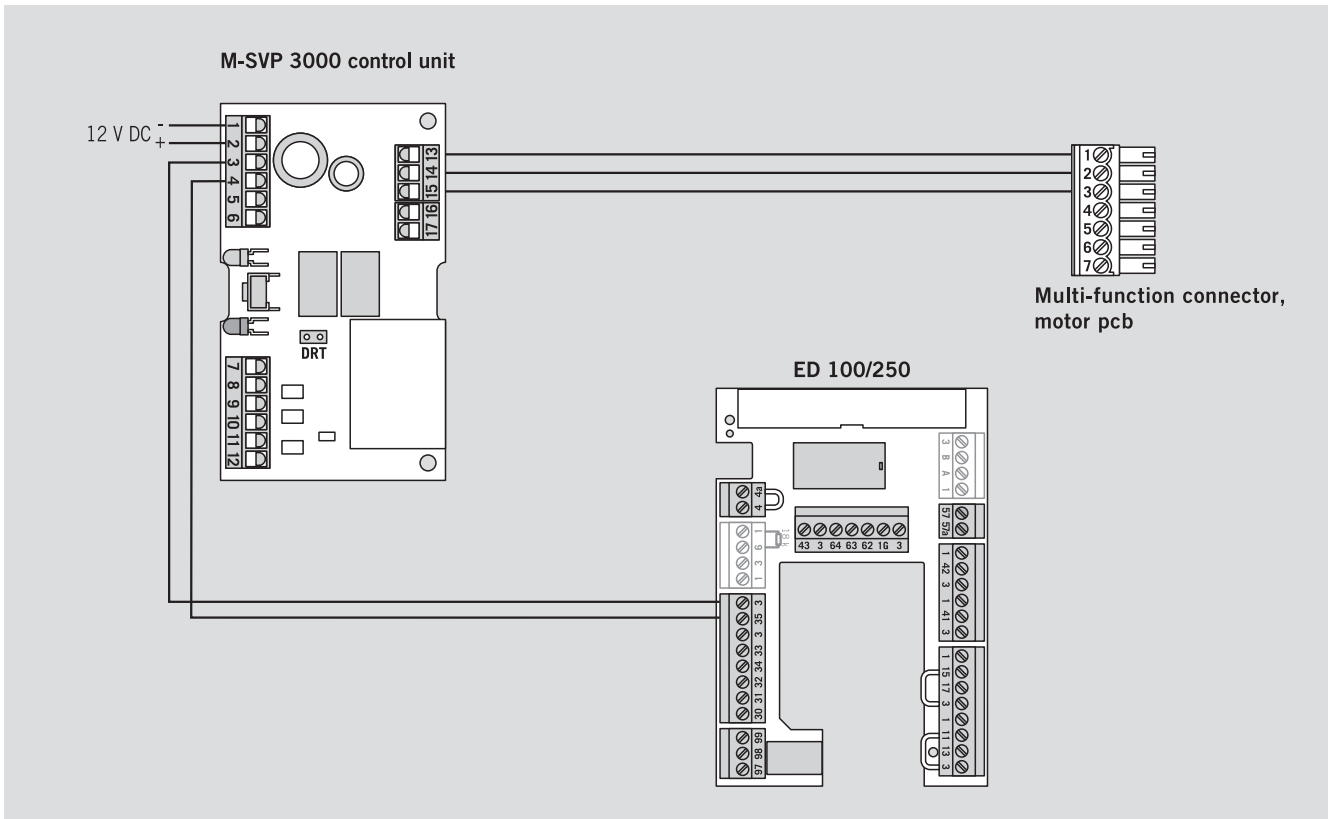


# TERMINAL CONNECTION DIAGRAM M-SVP 3000

M-SVP 3000 with CODIC MasterCard CMC-Hxx



M-SVP 3000 with ED 100/250



# M-SVP 2000 DCW® – EMERGENCY ESCAPE MOTOR LOCK WITH AUTOMATIC MULTI-POINT LOCKING

Emergency escape motor lock with automatic multi-point locking action, featuring pivoting steel hook bolts on top and bottom for enhanced door retention, and centre bolt with 20 mm projection. High anti-burglar protection up to resistance class WK 4 in appropriate door systems. Motorised unlocking (short-time and permanent unlocking, plus additional day latch function) via access control systems, unlocking by key from the outside is possible at all times. The integrated panic function ensures that the door can be opened at any time in the escape direction by simply operating the inside lever handle. Motorised locking is initiated automatically on closure of the door. Connection of external access control systems possible; system designed for use in emergency exit and escape route systems. With integrated DORMA DCW® interface for easy integration in DCW® networks and DORMA TMS door management systems without separate control unit. Direct communication with the electric swing door operators DORMA ED 100/ED 250 via DCW®-bus possible. Checkback signals: "Door open/closed", "Door locked/unlocked", "Lever

handle operation/Emergency unlocking activated". With an optional M-SVP-S24 DCW® control unit, the M-SVP 2000 DCW® can be operated in the stand-alone mode without a TMS door management system, with all functions enabled.

- Hook and centre bolts of steel
- Centre bolt projection 20 mm
- 9 mm square-section follower
- Free-turning cylinder with positive-action coupling necessary
- Power supply data: 24 V DC
- Suitable for use in timber, uPVC and aluminium doors
- Approved for emergency exit doors in accordance with EN 179
- Suitable for use on fire and smoke check doors

Equipment packages comprising

- M-SVP 2000 DCW® lock
- Strike plate or strike components, plus accessories
- 10 m cable
- Installation instruction manual and routing drawing

**Requisite accessories**  
(must be ordered separately):  
DORMA KÜ/KS cable loop  
(see page 18)

### M-SVP-S24 DCW® control unit (optional extra)

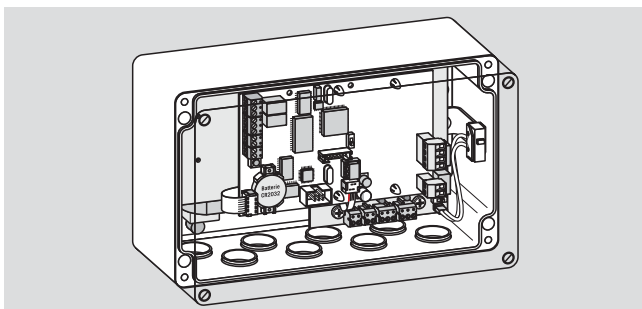
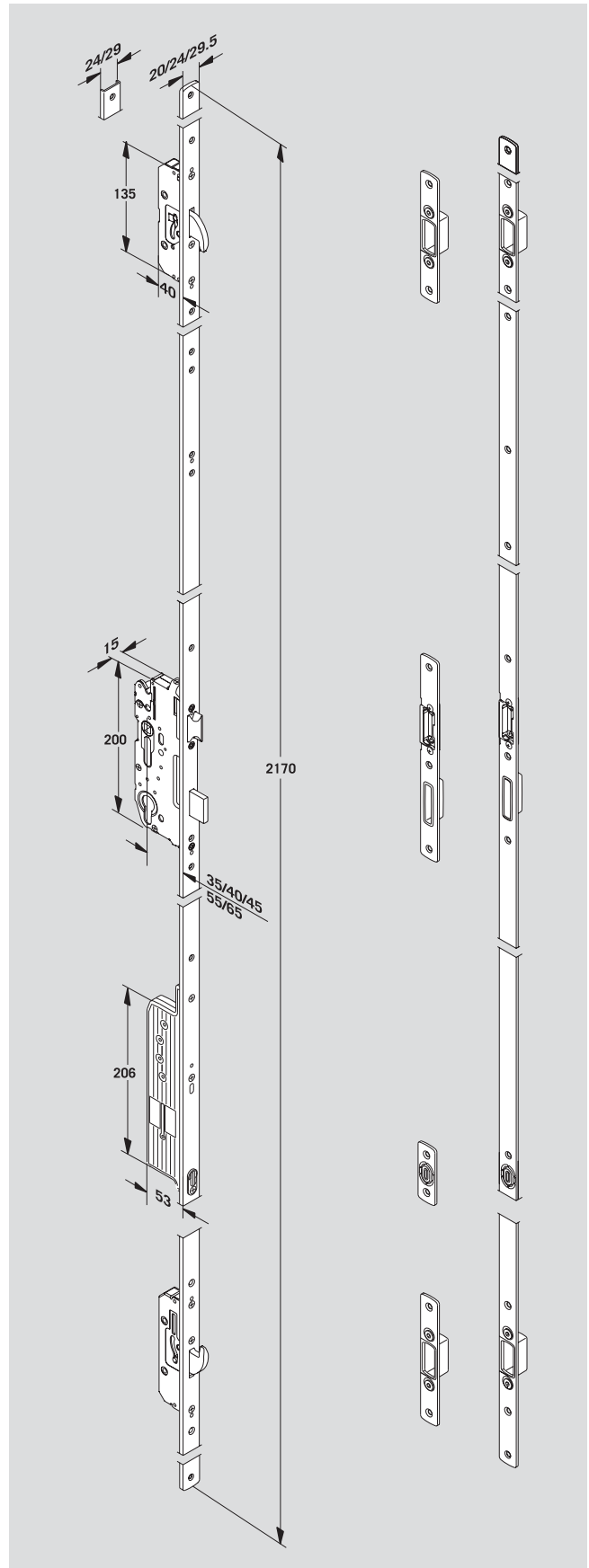
Control unit for operation of DORMA M-SVP 2000 DCW® emergency escape multi-point motor lock in the stand-alone mode, without DORMA TMS door management system.

- Allows the door to be locked and unlocked by various access control systems
- Installed in large plastics enclosure, IP 54, with DORMA NT 24-1.5 S power supply unit

- Power supply data: 230 V AC +/- 10%
- Enclosure dimensions (W x H x D): approx. 200 x 120 x 90 mm

For further information, go to STA Partner Portal

Order No. 15201140



## Equipment packages for steel and aluminium profile doors

Article designation	Forend	Strike plate	Strike components	Backset	Centres	DIN	Cylinder	Order No.
<b>U-form (flanged) forend</b>								
M-SVP 2000 DCW® UU6	U 6 x 24	U 5.5 x 24		35	92	L	PZ	15201001
						R	PZ	15201002
M-SVP 2000 DCW® UU6.7	U 6.7 x 24	U 5.5 x 24		35	92	L	RZ	15201031
						R	RZ	15201032
M-SVP 2000 DCW® UF	U 6 x 24	F 3 x 24		35	92	L	PZ	15201005
						R	PZ	15201006
M-SVP 2000 DCW® UF	U 6 x 24	F 3 x 24		35	94	L	RZ	15201035
						R	RZ	15201036
M-SVP 2000 DCW® 40 UF	U 6 x 24	F 3 x 24		40	92	L	PZ	15201009
						R	PZ	15201010
M-SVP 2000 DCW® 40 UF	U 6 x 24	F 3 x 24		40	94	L	RZ	15201039
						R	RZ	15201040
M-SVP 2000 DCW® UF 65 / 72	U 6 x 24	F 3 x 24		65	72	L	PZ	15201015
						R	PZ	15201016
M-SVP 2000 DCW® UF ST24	U 6 x 24		3 x 24	40	92	L	PZ	15201017
						R	PZ	15201018
M-SVP 2000 DCW® UF ST24	U 6 x 24		3 x 24	40	94	L	RZ	15201047
						R	RZ	15201048
<b>Standard (flat) forend</b>								
M-SVP 2000 DCW® FF	F 3 x 24	F 3 x 24		35	92	L	PZ	15201007
						R	PZ	15201008
M-SVP 2000 DCW® FF	F 3 x 24	F 3 x 24		35	94	L	RZ	15201037
						R	RZ	15201038
M-SVP 2000 DCW® 45 FF	F 3 x 24	F 3 x 24		45	92	L	PZ	15201011
						R	PZ	15201012
M-SVP 2000 DCW® FF ST29	F 2.5 x 29.5		2.5 x 29.5	35	92	L	PZ	15201019
						R	PZ	15201020
M-SVP 2000 DCW® FF ST29	F 2.5 x 29.5		2.5 x 29.5	35	94	L	RZ	15201049
						R	RZ	15201050

## Equipment packages for timber doors

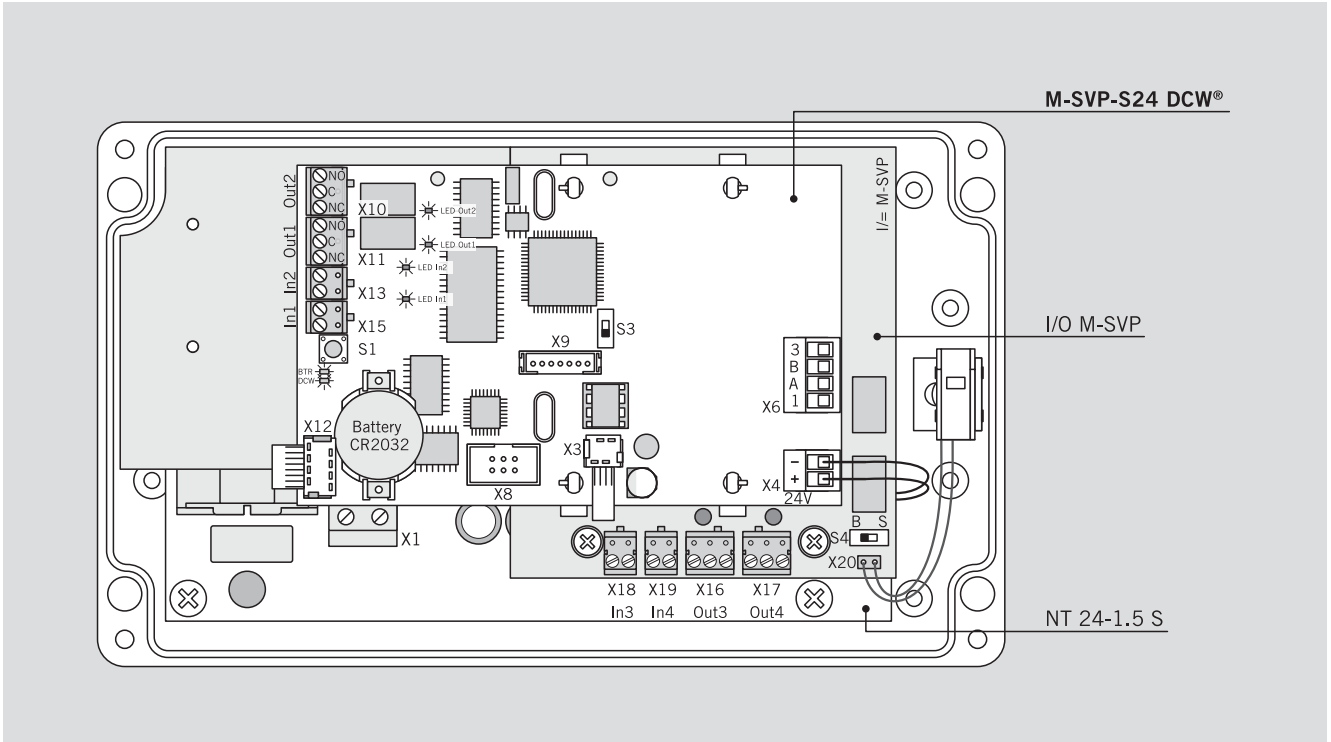
Article designation	Forend	Strike plate	Strike components	Backset	Centres	DIN	Cylinder	Order No.
M-SVP 2000 DCW® H 55 / 92	F 2.7 x 20		8.5 x 20	55	92	L	PZ	15201025
						R	PZ	15201026
M-SVP 2000 DCW® H 65 / 92	F 2.7 x 20		8.5 x 20	65	92	L	PZ	15201027
						R	PZ	15201028
M-SVP 2000 DCW® H 55 / 72	F 2.7 x 20		8.5 x 20	55	72	L	PZ	15201021
						R	PZ	15201022
M-SVP 2000 DCW® H 65 / 72	F 2.7 x 20		8.5 x 20	65	72	L	PZ	15201023
						R	PZ	15201024
M-SVP 2000 DCW® H 65 / 74	F 2.7 x 20		8.5 x 20	65	74	L	RZ	15201043
						R	RZ	15201044

All dimensions in mm

L = ISO 6 R = ISO 5

For profile-related equipment packages, see page 19



# M-SVP-S 24 DCW® – TERMINAL ASSIGNMENTS AND FUNCTIONS




<b>X4</b>		Stabilised power supply 24 V DC, -10%/+15%	
<b>X6</b>		DCW® bus (link to external DCW® devices)	
<b>X10</b>		M-SVP lever handle	
<b>X11</b>		M-SVP locked	
<b>X13</b>		Smoke detector or configurable via TMS-Soft 4.xx (power consumption: 5 V / 3 mA; 12 V / 8 mA; 24 V / 17mA; 28 V / 28 mA)	Optocoupler inputs
<b>X15</b>		Day latch function or configurable via TMS-Soft 4.xx (power consumption: 5 V / 3 mA; 12 V / 8 mA; 24 V / 17 mA; 28 V / 28 mA)	
<b>X16</b>		Day latch function active (configurable via TMS-Soft / I/O M-SVP)	
<b>X17</b>		Collective alarm (configurable via TMS-Soft / I/O M-SVP)	
<b>X18</b>		Short-time / Long-time / Permanent unlocking (configurable via TMS-Soft / I/O M-SVP)	
<b>X19</b>		Locking action (configurable via TMS-Soft / I/O M-SVP)	


- X3** Connection to pcb, I/O M-SVP (X3)
- X8** RS 232 PC interface / LON / LAN adapter
- X9** Connection to firmware programming system
- X12** Connection to pcb, I/O M-SVP (X12)
- X20** "Anti-tamper contact" terminal

- S1** Function 1:  
Resetting of the components table (DCW® devices)  
→ hold pushbutton S1;  
switch on power supply; release pushbutton
- Function 2:  
Software reset and reinstatement of factory default settings  
→ during operation, hold pushbutton down longer  
than 8 seconds.

- S3**  LON or TMS PC adapter  
 IR adapter

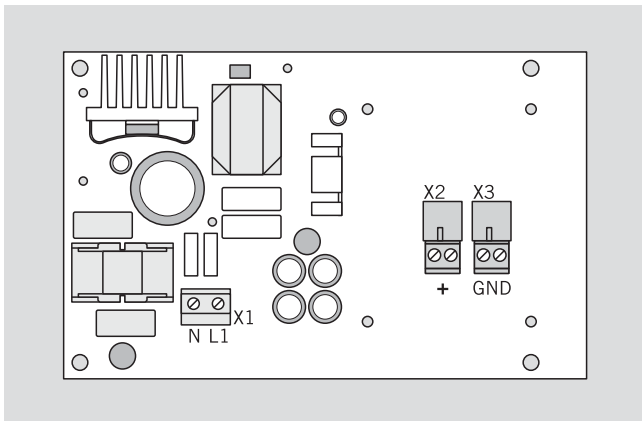
- S4** Service switch for anti-tamper signal override  
B = Standby (enclosure anti-tamper contact activated)  
S = Service (enclosure anti-tamper contact deactivated)







**LED BTR**  LED flashes = Operational  
LED continuous = Hardware fault  
(Reset with S1/Function 1)

**LED DCW®**  LED briefly flashes  
during data message transmission

Technical data	
Power supply	24V DC, -10 / +15%
Power consumption:	
▪ Standby current with M-SVP 2000	66 mA
▪ Each activated relay requires an additional	8 mA
Motor operation with M-SVP 2000	1.5 A (<1.5 sec.)
Contact ratings	24 V DC 0.5 A inductive 1.0 A ohmic
Temperature range	0 – 50 °C

**NT 24-1.5 S**

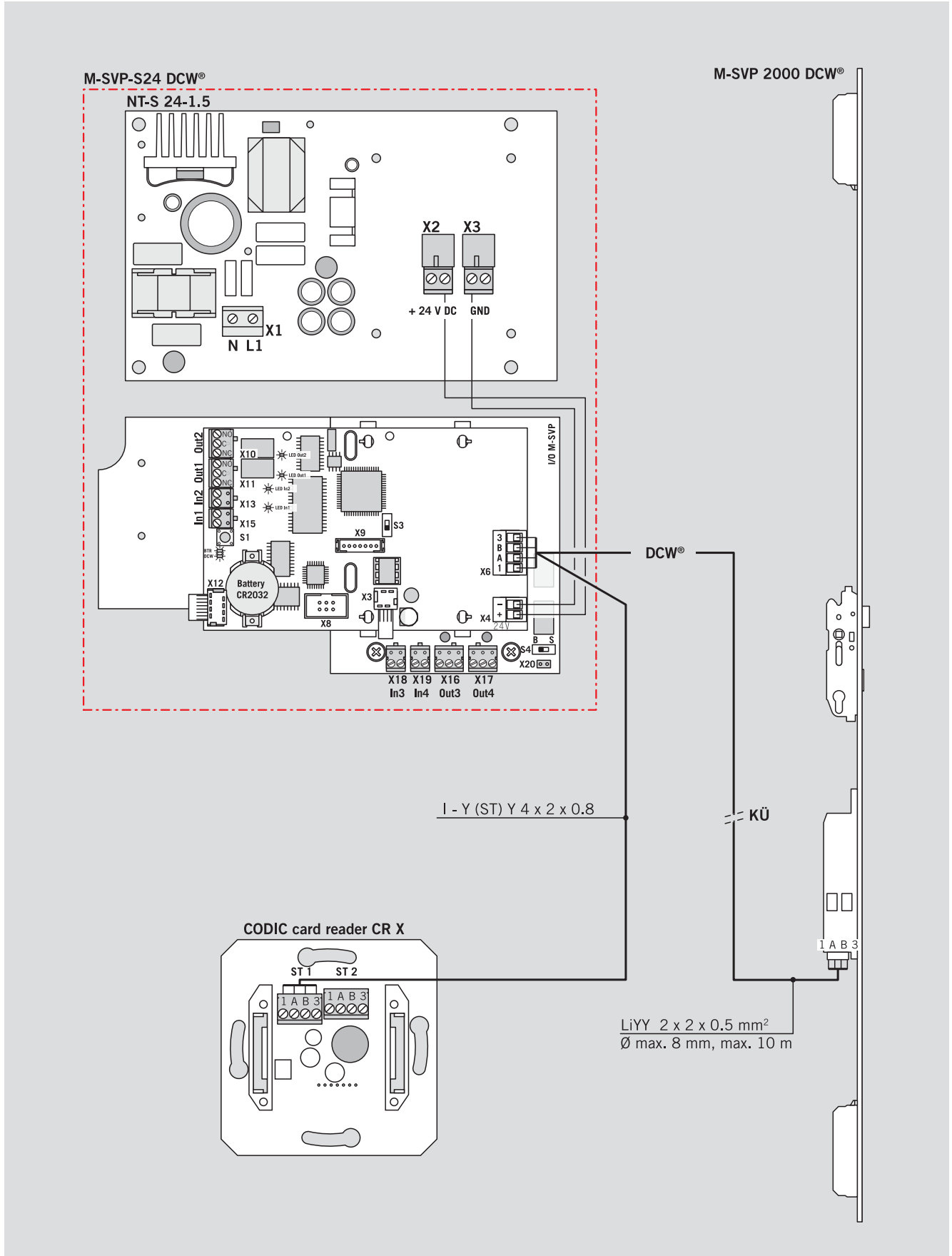


- X1**  ← 230 V AC supply voltage +/- 15%  
 ← 230 V AC
- X2**  → +24 V DC  
 → +24 V DC
- X3**  ⊥ GND  
 ⊥ GND

Technical data	
Power supply	230 V AC, +/- 15%
Rated input current	0.35 A
Output power	24 V DC, -5% / +10%
Rated output current	1.5 A

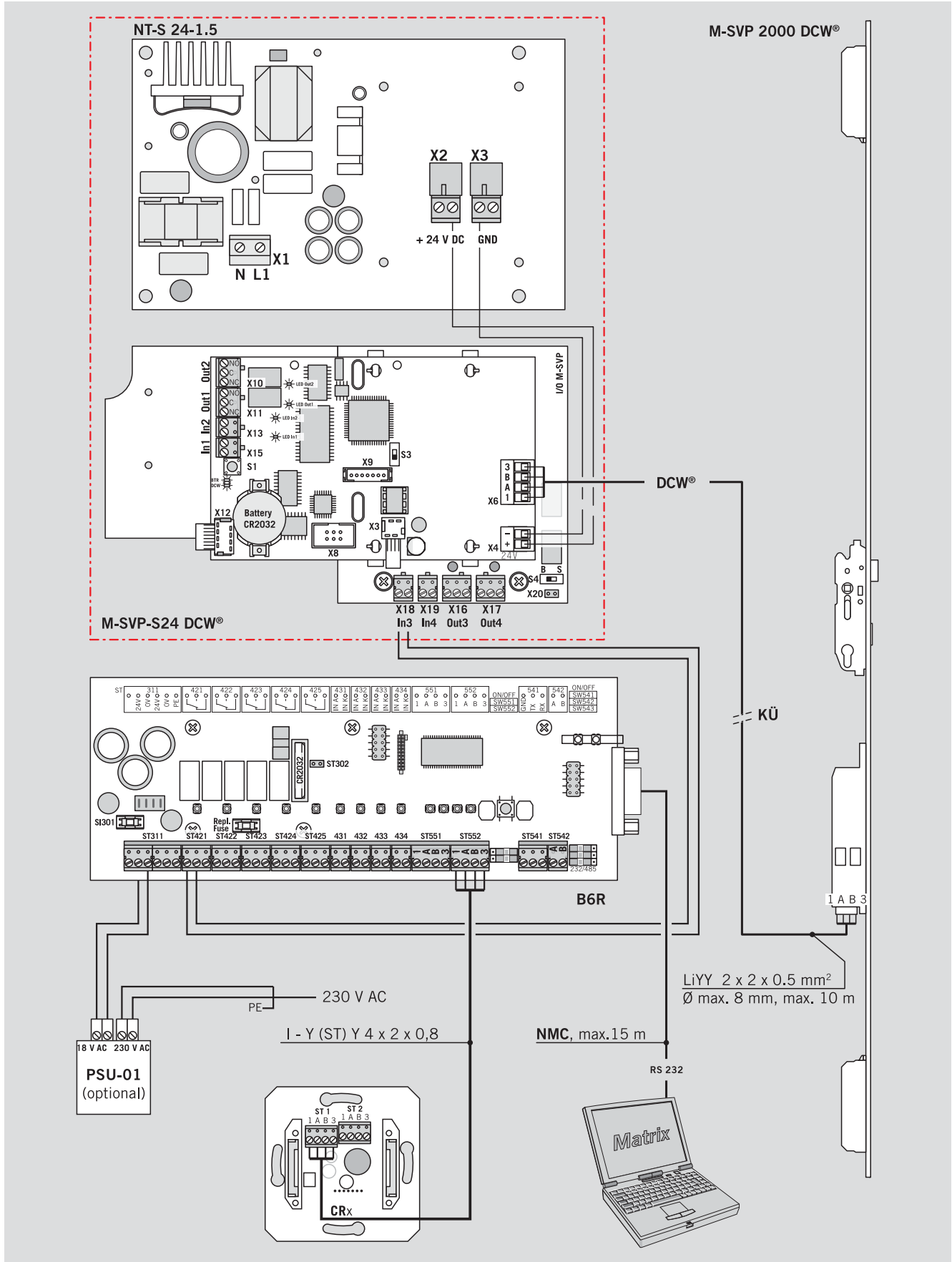
# TERMINAL CONNECTION DIAGRAM M-SVP 2000 DCW®

M-SVP 2000 DCW® with M-SVP-S24 DCW® and CODIC Card reader CRX



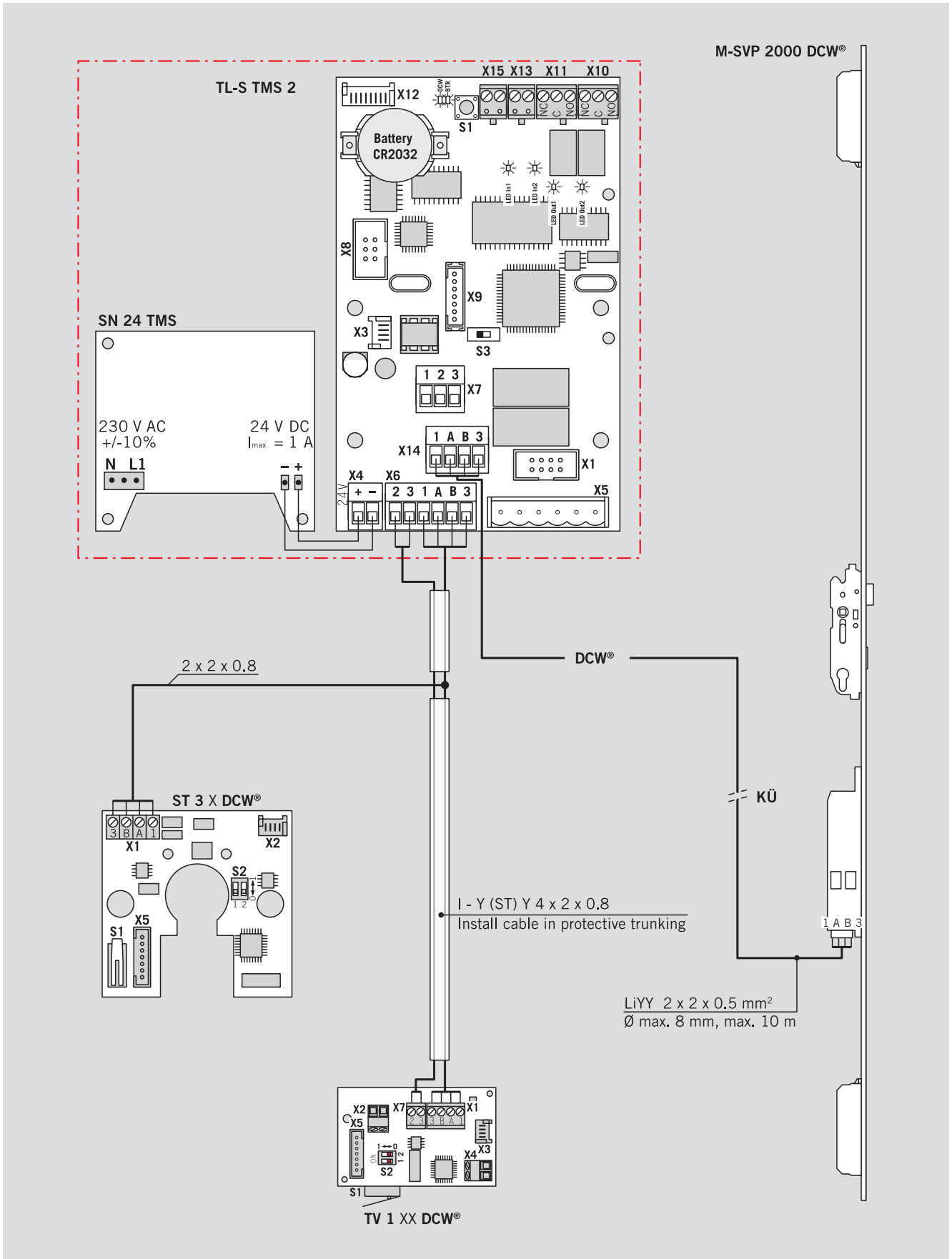
# TERMINAL CONNECTION DIAGRAM M-SVP 2000 DCW®

M-SVP 2000 DCW® with CODIC-Card



# TERMINAL CONNECTION DIAGRAM M-SVP 2000 DCW®

M-SVP 2000 DCW® with TMS



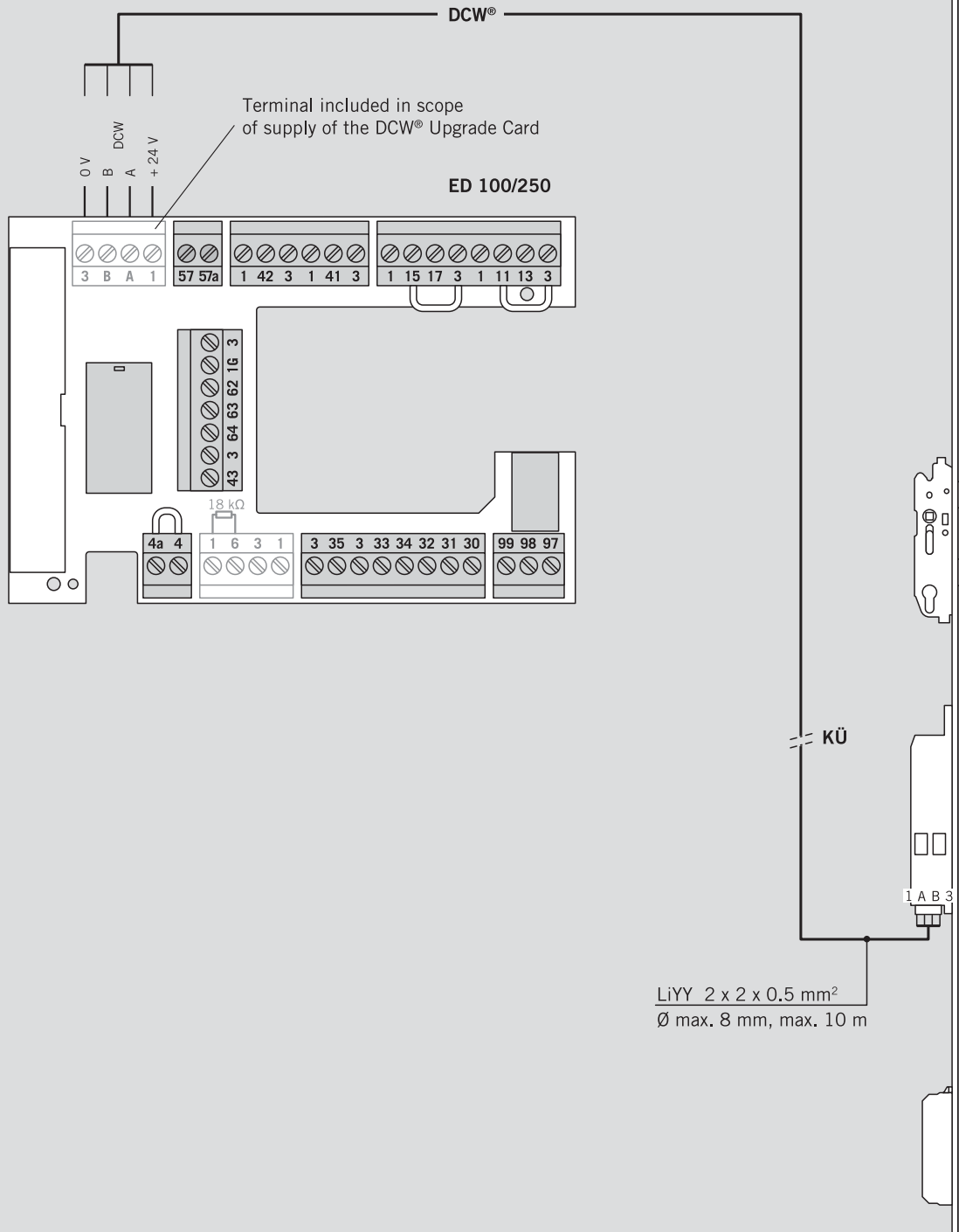


# TERMINAL CONNECTION DIAGRAM M-SVP 2000 DCW®

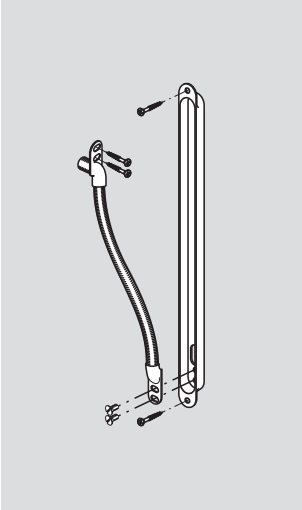
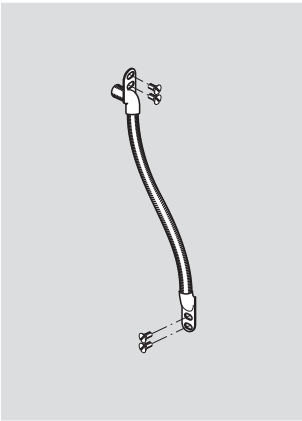
M-SVP 2000 DCW® with ED 100/250 via DCW® bus

(ED-Upgrade-Card 100/250 DCW® needed, Art. No. 29254001)

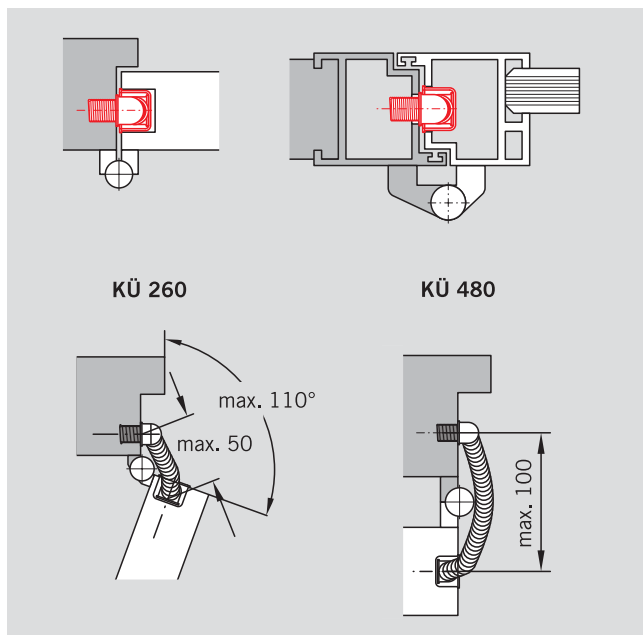
M-SVP 2000 DCW®



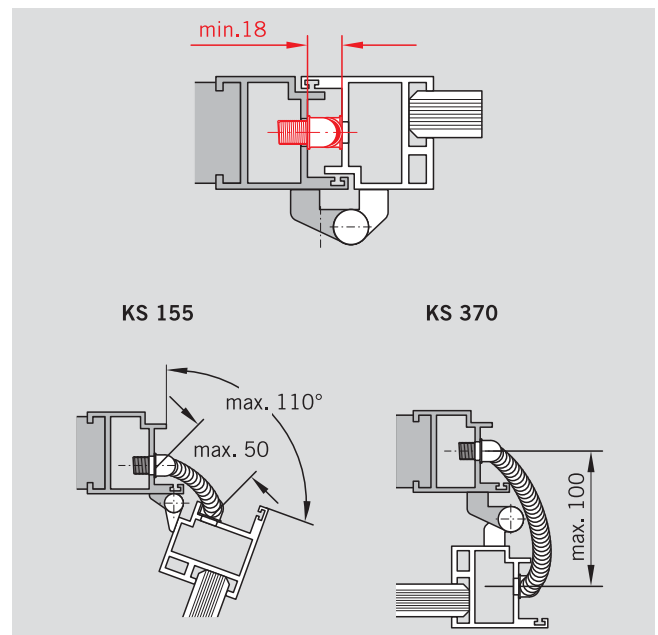
# ACCESSORIES

	Specification text	Order No.
	<p><b>KÜ – cable loop</b> Robust spiral metal sheath with recessed box to receive flexible interconnecting cables up to 8.0 mm in diameter. Guarantees nip-free and anti-tamper protection between leaf and frame of doors and windows.</p>	
	<p>▪ <b>KÜ 260</b> For door hinges with a pivot offset of up to 18 mm and opening angles up to 110°; flexible length of spiral sheath: 155 mm; installation dimensions of recess box (W x H x D): approx. 24 x 260 x 17 mm</p>	15811000
	<p>▪ <b>KÜ 480</b> For door hinges with a pivot offset of up to 36 mm and opening angles up to 180°; flexible length of spiral sheath: 370 mm; installation dimensions of recess box (W x H x D): approx. 24 x 480 x 17 mm</p>	15813000
	<p><b>KS – cable loop</b> Robust stainless steel spiral to receive flexible interconnecting cables up to 8 mm dia. between moving components with cavity; also suitable for surface mounting</p>	
	<p>▪ <b>KS 155</b> For door hinges with a pivot offset of up to 18 mm and opening angles up to 110°, flexible length of spiral sheath: 155 mm; installation dimensions (W x H x D): approx. 17 x 255 x 15 mm</p>	15817000
	<p>▪ <b>KS 370</b> For door hinges with a pivot offset of up to 36 mm and opening angles up to 180°; flexible length of spiral sheath: 370 mm; installation dimensions (W x H x D): approx. 17 x 470 x 15 mm</p>	15819000

Cable loop KÜ 260/480



Cable loop KS 155/370



## PROFILE-RELATED EQUIPMENT PACKAGES

Manufacturer	Profile	M-SVP 2000 DCW®	M-SVP 3000	M-SVP 5000
<b>Alcoa</b>	Alcoa AA 610	FF	FF	FF
<b>Forster</b>	Forster Presto 60	UU6 / UF / 40 UF	UU6 / UF / 40 UF	UU6 / UF / 40 UF
	Forster Presto 60 ST	UF ST24	UF ST24	UF ST24
	Forster Fuego light	UF ST24	UF ST24	UF ST24
	Forster Unico	FF ST29	FF ST29	FF ST29
<b>Heroal</b>	Heroal Serie 020	UF / 40 UF / UF ST24	UF / 40 UF / UF ST24	UF / 40 UF / UF ST24
	Heroal Serie 065	UU6.7	UU6.7	UU6.7
	Heroal Serie 82/90	UU6	UU6	UU6
	Heroal Serie 90	UU6.7	UU6.7	UU6.7
	Heroal Serie 110	UU6.7	UU6.7	UU6.7
<b>Groke</b>	Groke GT 190	40 UF	40 UF	40 UF
<b>Hörmann</b>	Hörmann-Aluminium TC80	FF / 45FF	FF / 45FF	FF / 45FF
<b>Hueck</b>	Hueck 1.0	FF / 45FF	FF / 45FF	FF / 45FF
	Hueck BSC T30	UU6	UU6	UU6
<b>Jansen</b>	Jansen Janisol 2 (T30)	FF	FF	FF
<b>Klauke</b>	Klauke Baureihe 77	UF	UF	UF
<b>Schüco</b>	Schüco ADS 60 HD	UU6	UU6	UU6
	Schüco ADS 70 HD	UU6	UU6	UU6
	Schüco ADS 75 HD	UU6	UU6	UU6
	Schüco Firestop	UF ST29	UF ST29	UF ST29
	Schüco Royal S50	UU6	UU6	UU6
	Schüco Royal S50N	UU6	UU6	UU6
	Schüco Royal S65	UU6	UU6	UU6
	Schüco Royal RS65	UU6	UU6	UU6
	Schüco Royal S70	UU6	UU6	UU6
	Schüco Royal S70N	UU6	UU6	UU6
<b>Wicona</b>	Wicona FP T30	UU6	UU6	UU6
	Wicona Wicstyle 65	FF / 45FF	FF / 45FF	FF / 45FF
	Wicona Wicstyle 65N	FF / 45FF	FF / 45FF	FF / 45FF
	Wicona Wicstyle 70NFP	UU6.7	UU6.7	UU6.7
	Wicona Wicstyle 77	FF / 45FF	FF / 45FF	FF / 45FF
	Wicona Wicstyle 60N	UU6.7	UU6.7	UU6.7

Equipment packages for other profile systems available on application.



DORMA India Private Limited  
14 Pattullous Road  
CHENNAI - 600 002  
INDIA  
Phone +91 44 2855 9192  
Fax +91 44 2858 5096  
[www.dorma.com/in](http://www.dorma.com/in)